


50 min


ASSEMBLY INSTRUCTION

Ax16 

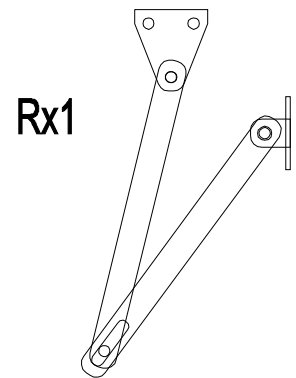
Gx2 

M1x4 

Bx16 

Hx2 

Nx10 



Cx4 

Jx2 

Px1 


Dx22 

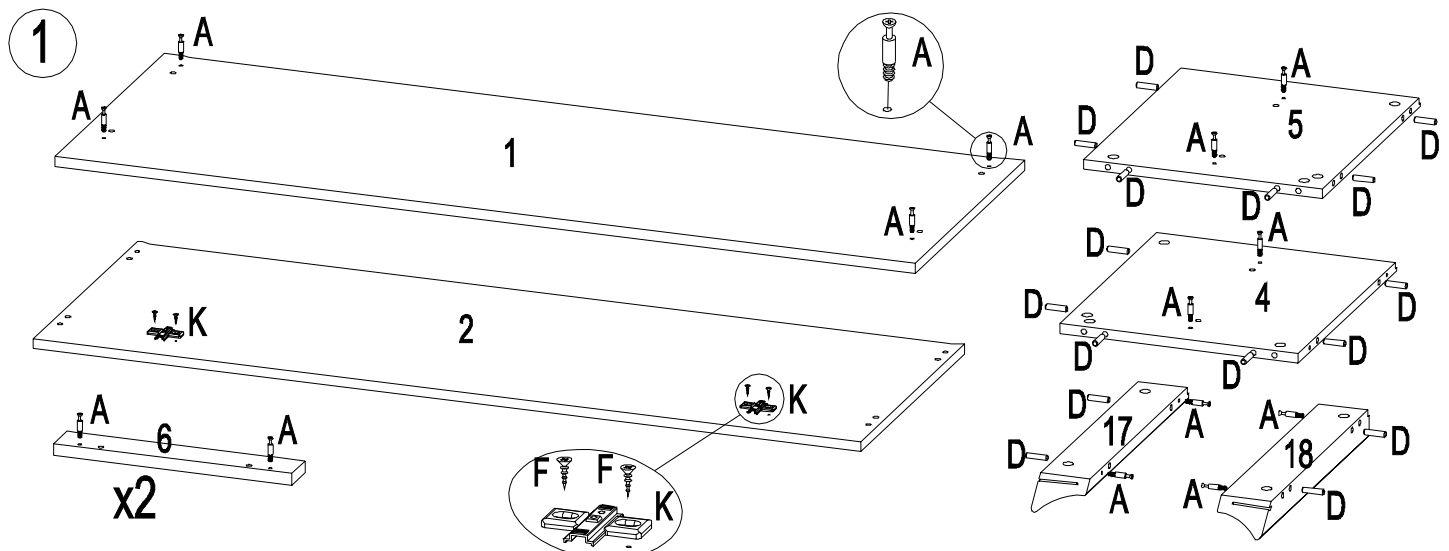
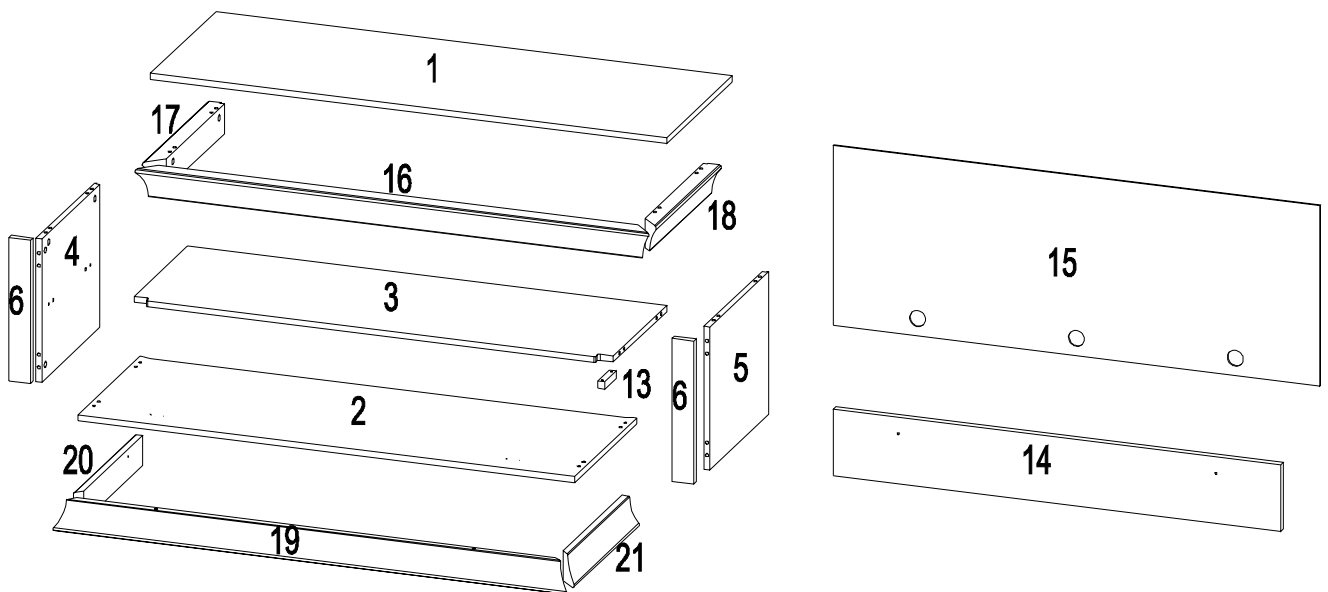
Kx2 

Qx30 

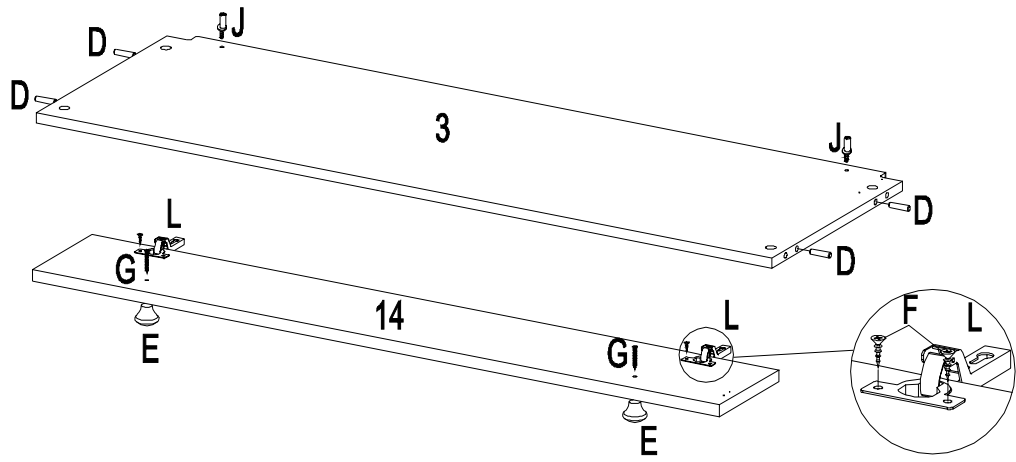
Ex2 

Lx2 

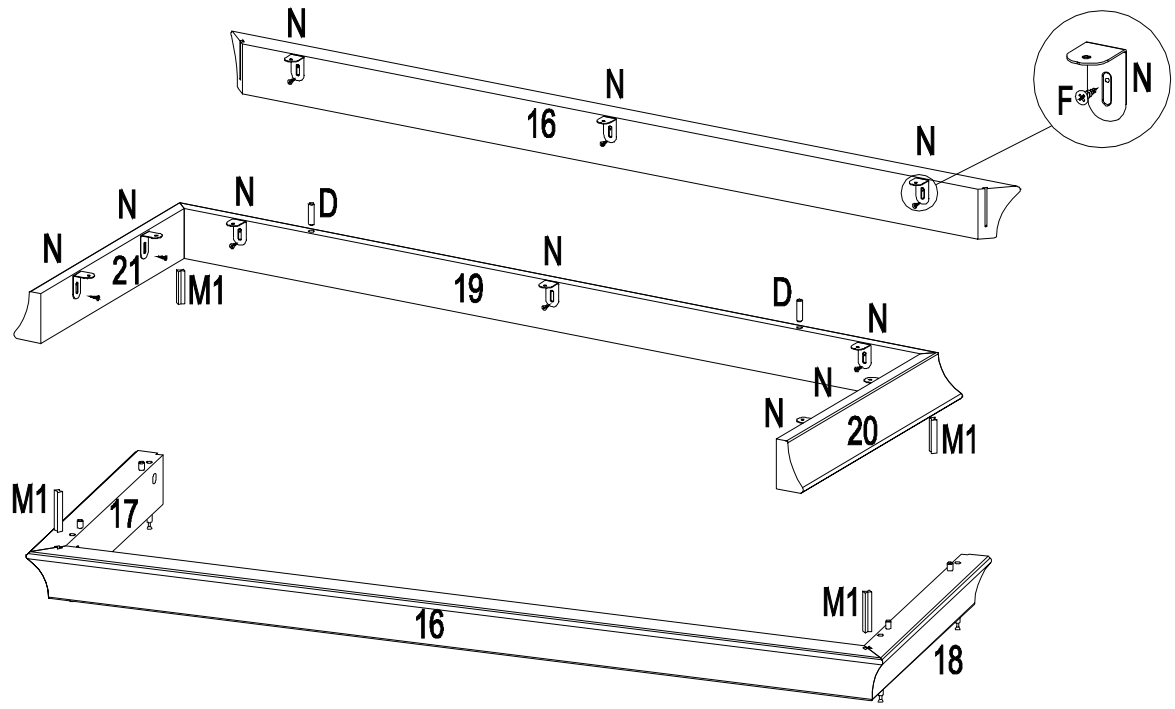
Fx32 



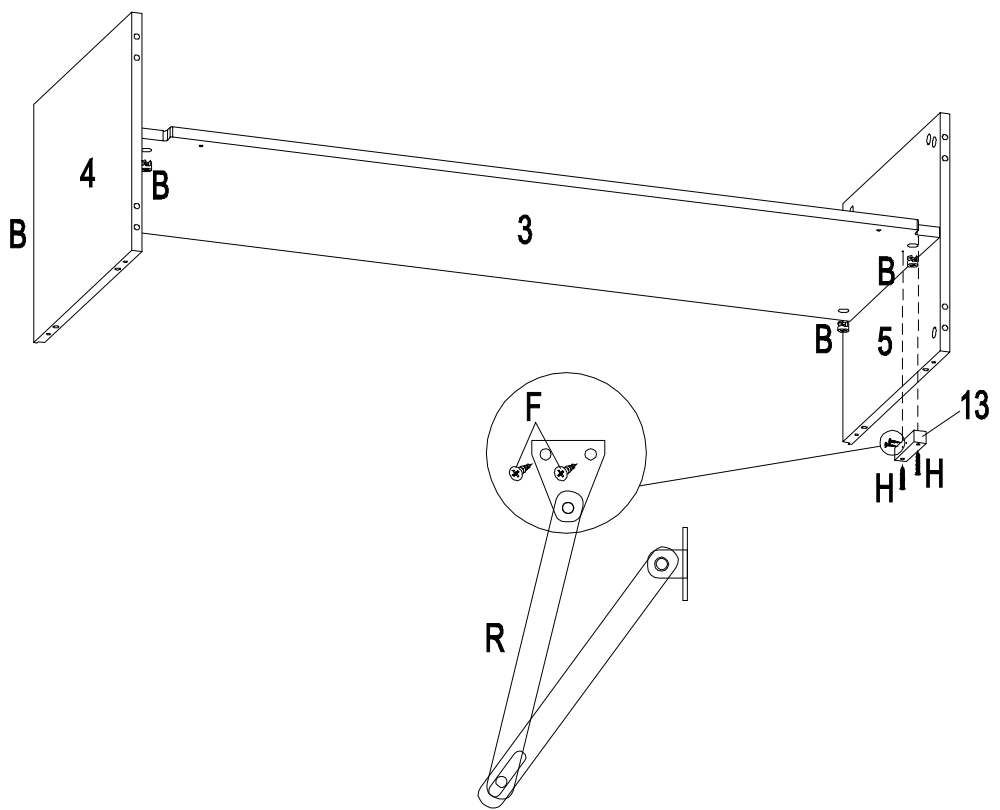
2



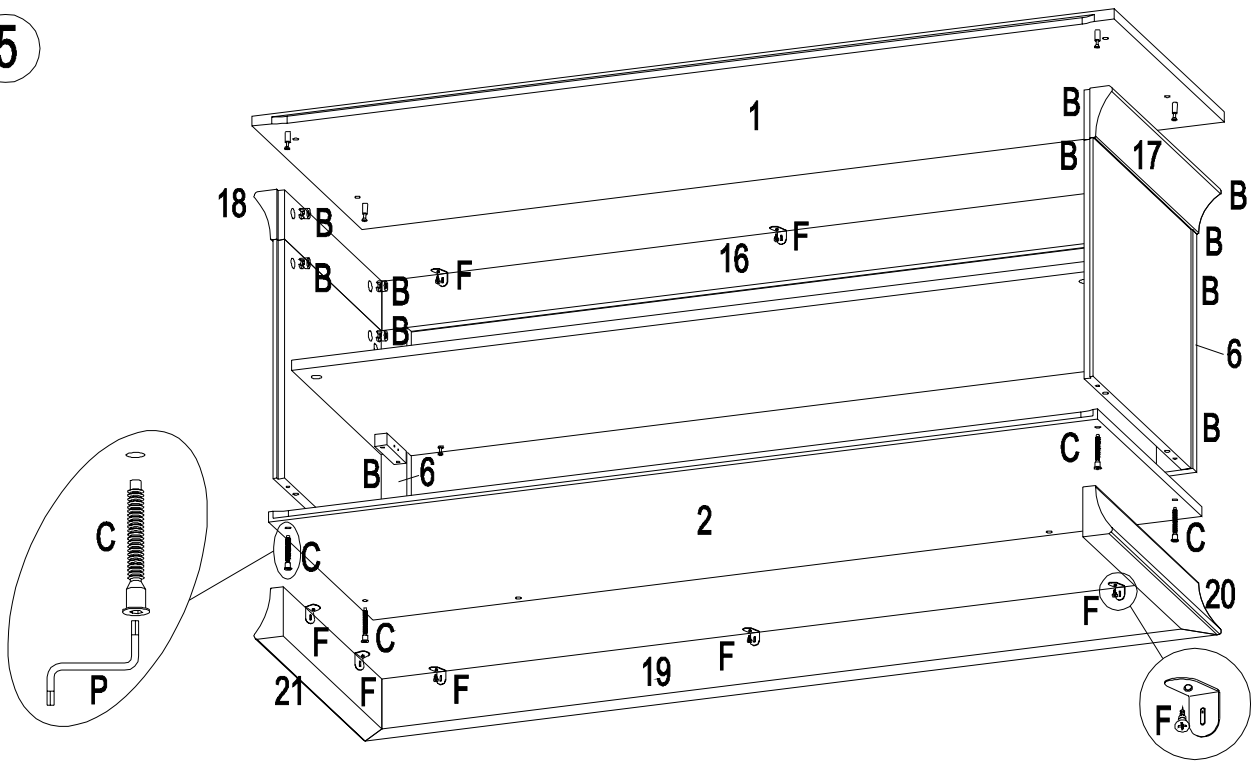
3



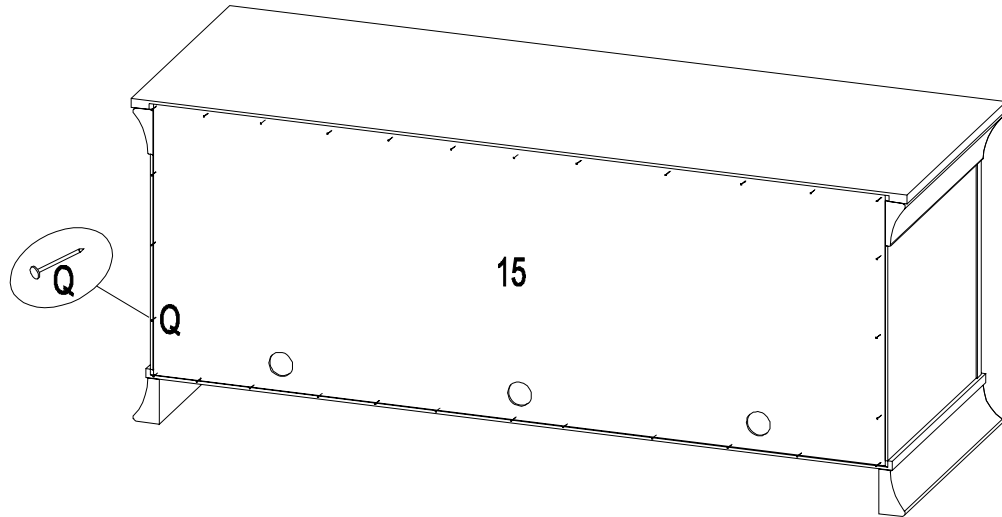
4



5



6



7

